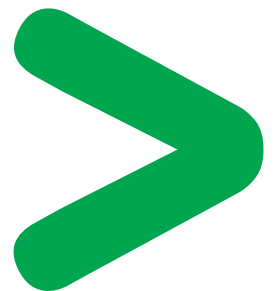
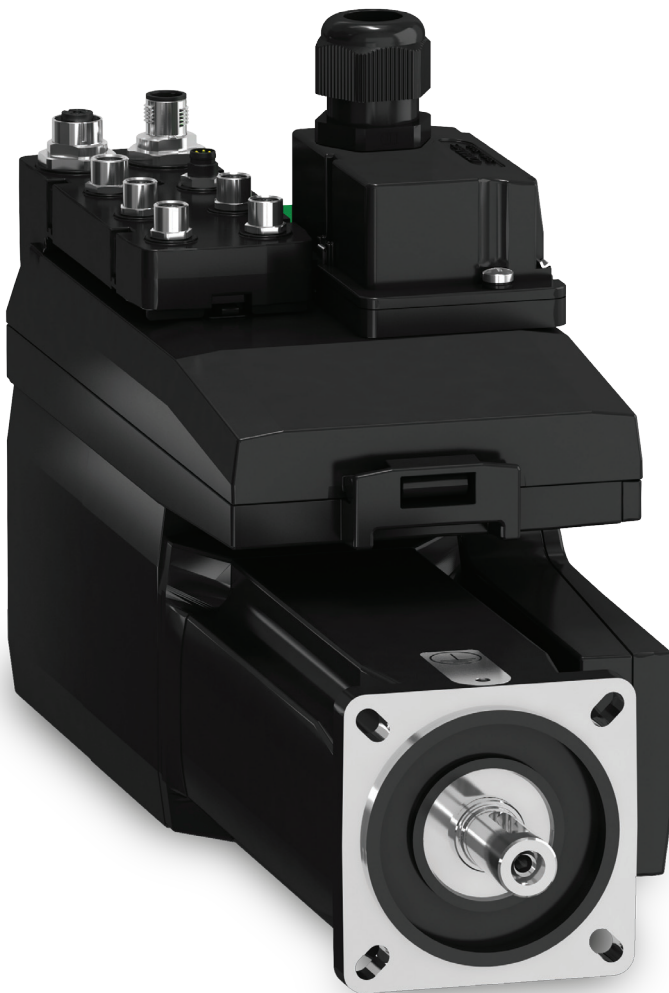


When customization meets simplicity

Lexium 32i

Servo drive range from 0.6 to 2.2 kW



What can the **Lexium 32i** add to your motion control?



Simplicity

- Easy to choose via online configurator
- Easy to assemble in less than 3 minutes
- Easy to integrate and maintain

Flexibility

- Custom-made product based on standard components
- Flexible cable mounting

Cost efficiency

- Smaller cabinets
- Reduced wiring
- Energy-efficient motor and drive technology



up to
30%

in motion application
costs savings!

Simplicity and power in one unit

With servo motor and servo drive integrated in one housing, the Lexium 32i is designed for application areas requiring high precision and advanced motor control.

Selecting and commissioning your servo drive couldn't be easier with our on-line configurator. And with the components being very simple and fast to assemble and integrate into your machine solutions, you save both time and costs.

Create your own product to suit your needs

Use a combination of the following components to build a product that meets your specific application requirements.

Product features

Available in two flange sizes

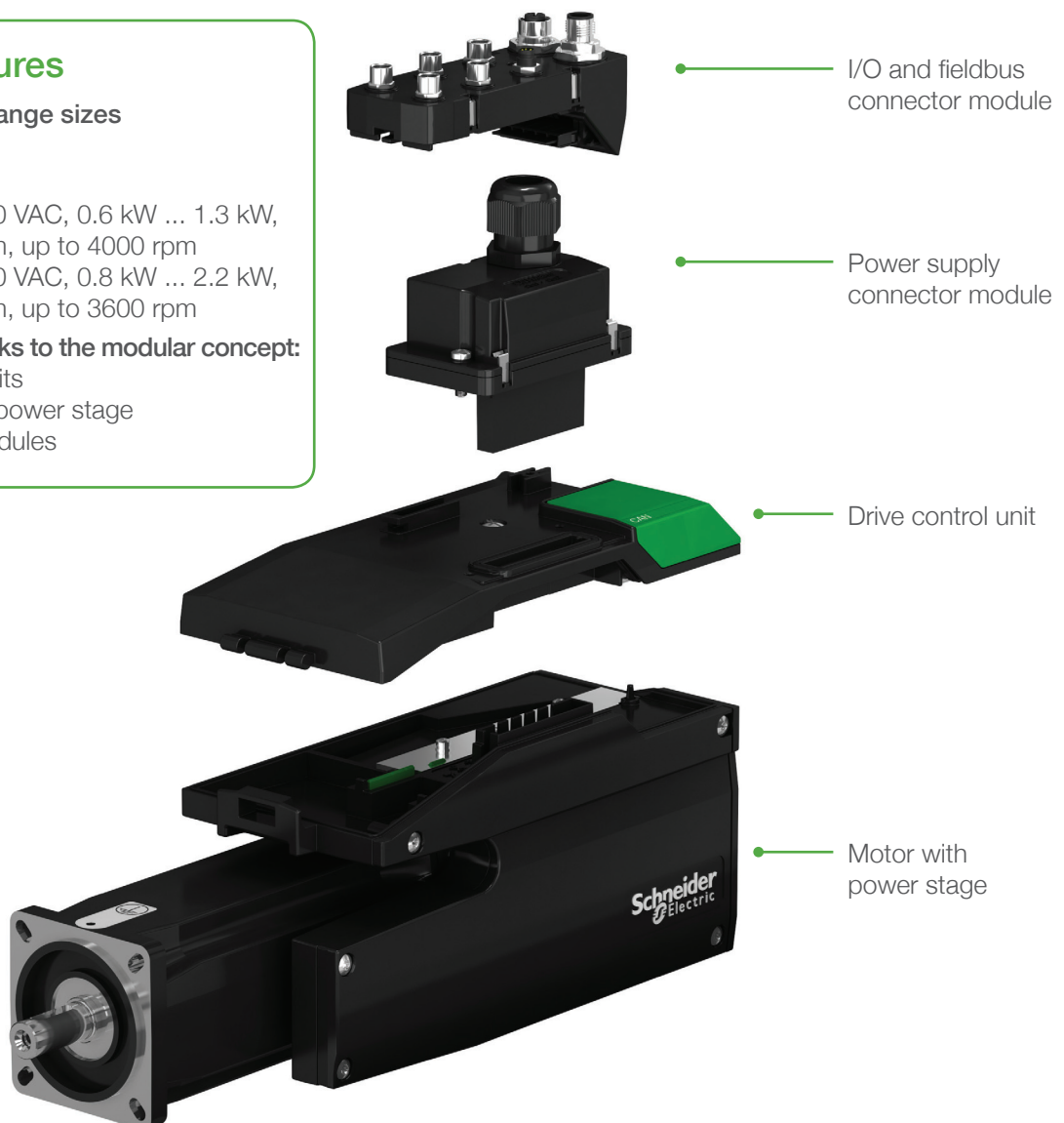
- 70 / 100 mm

AC mains supply

- 1-phase, 110/230 VAC, 0.6 kW ... 1.3 kW, 1.6 Nm ... 4.4 Nm, up to 4000 rpm
- 3-phase, 208/400 VAC, 0.8 kW ... 2.2 kW, 2.2 Nm ... 7.8 Nm, up to 3600 rpm

Highly flexible thanks to the modular concept:

- 2 drive control units
- 224 motors with power stage
- 21 connector modules



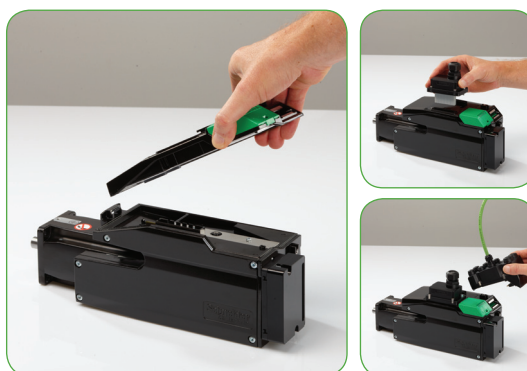
Simple to select, install, and use

Selecting and commissioning your servo drive couldn't be easier. Our on-line configurator enables you to find the right product for your application in just a few minutes. And with the components being very simple and fast to assemble and integrate into your machine solutions, you save both time and costs.



Easy to select

Thanks to our on-line configurator, it is easy to select the four catalogued components which will make your Lexium 32i dedicated to your application.

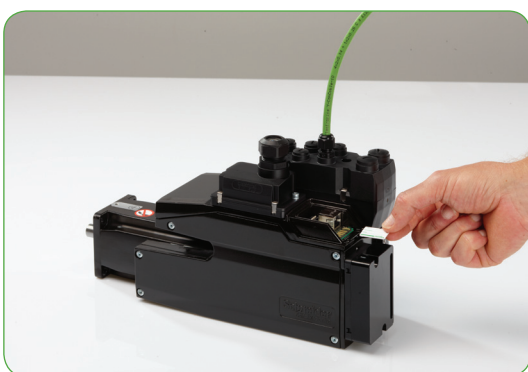


3 minutes

is all it takes to assemble your Lexium 32i

Easy to assemble

The four components are very easy to assemble, simply click on each component as illustrated and secure.



Easy to maintain

All settings can be stored on the optional memory card. Simply insert the card to recall all settings.



Easy logistics

A reduced number of references makes the components easy to stock and order.

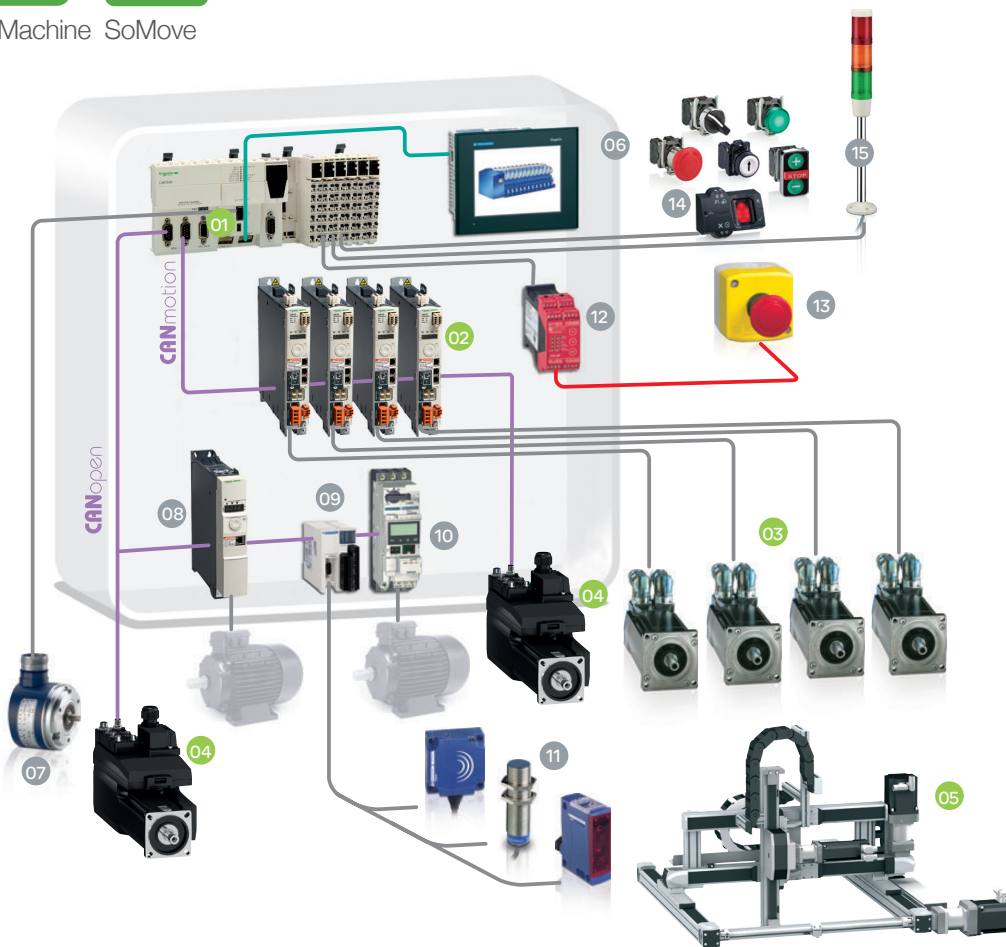
Easy to integrate

Standard fieldbuses: CANopen / CANmotion, EtherCAT.

Standard softwares: SoMove and SoMachine for simplified commissioning and programming.



SoMachine SoMove



Plug & Play

AC power supply
(1- and 3-phase
supply).

Integrated safety

Safe Torque Off
embedded

Motion products

01 Controller **Modicon LMC 058**

02 Servo Drive **Lexium 32**

03 Servo Motor **Lexium BMH, BSH**

04 **Lexium 32i** Servo Drive

05 Multi-Axis System **Lexium MAX R3**

Other Schneider Electric products

06 Graphic terminal **Magelis XBT GT ...**

07 Encoder **OsiSense XCC**

08 Variable speed drive **Altivar 32**

09 Distributed I/O **Advantys OTB**

10 Motor starter **TeSys U**

11 Detectors **Osisense XC/XS/XU/XM/XX ...**

12 Safety controller **Preventa XPS MC ...**

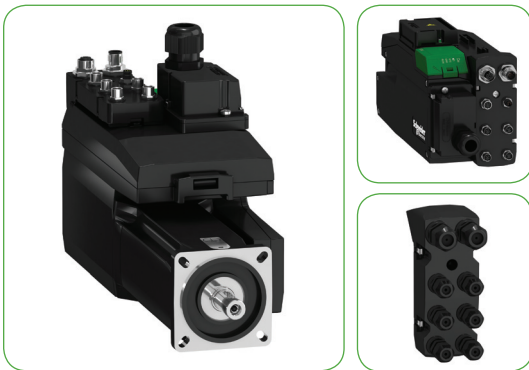
13 Emergency stop **Harmony Xalk ...**

14 Pushbuttons & switches **Harmony XB4/5**

15 Signaling unit **Harmony XVM**

Flexibility to meet your needs

No two applications are the same. The flexible mounting options of the Lexium 32i make it easy to assemble the unit in a way that suits your particular application.



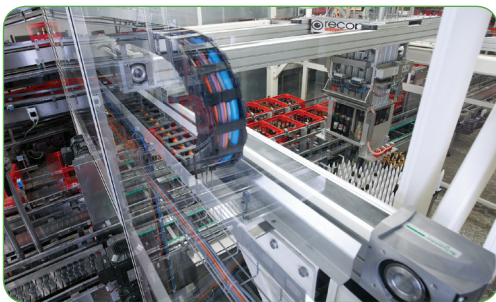
Flexible cabling and mounting

Connector modules are available with
- industrial connector or
- terminal connector module
which can be mounted on top or rear side of the product.

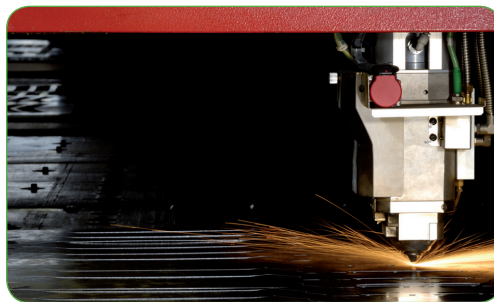
Cover up to
80%

of all customer needs
with just around 50
available references

Typical application areas



Material handling



Material working



Packaging



Printing

Optimize your total cost of ownership

Unlike traditional servo drives that are installed in a cabinet, the Lexium 32i servo drive is installed directly on the machine to help you improve cost and energy efficiency.

Reduce energy costs by up to 30%

- Less cabinet cooling needed
- Energy-efficient motor and drive technology
- Since there is no motor cable, less energy is lost

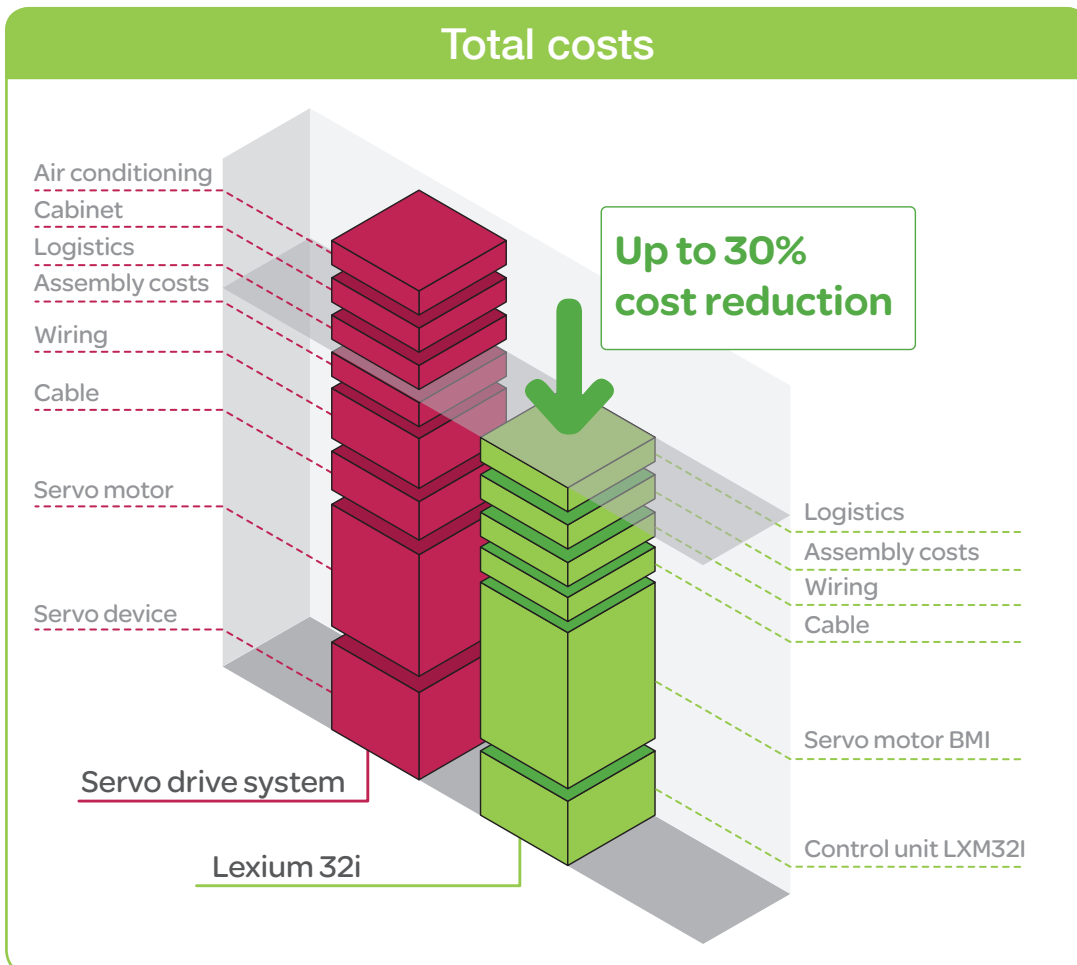


Reduce cabinet space by up to 60%

- No cabinet space needed for the drive

Reduce assembly time

- Simplified wiring
- Easy cabling



Make the most of your energySM

Schneider Electric Industries SAS

Head Office
35, rue Joseph Monier
CS 30323
92506 Rueil-Malmaison Cedex
France

www.schneider-electric.com

Due to evolution of standards and equipment, characteristics indicated in the text and images in this document are subject to confirmation by our departments.

Design: Schneider Electric

Photos: Schneider Electric

Print:

©2012 Schneider Electric. All Rights Reserved.

Schneider Electric, Adventys, Altivar, Harmony, Lexium, Magelis, Modicon, Preventa, Osisense, Tesys, are trademarks owned by Schneider Electric Industries SAS or its affiliated companies. All other trademarks are property of their respective owners.

998-1170747_A_GMA-GB